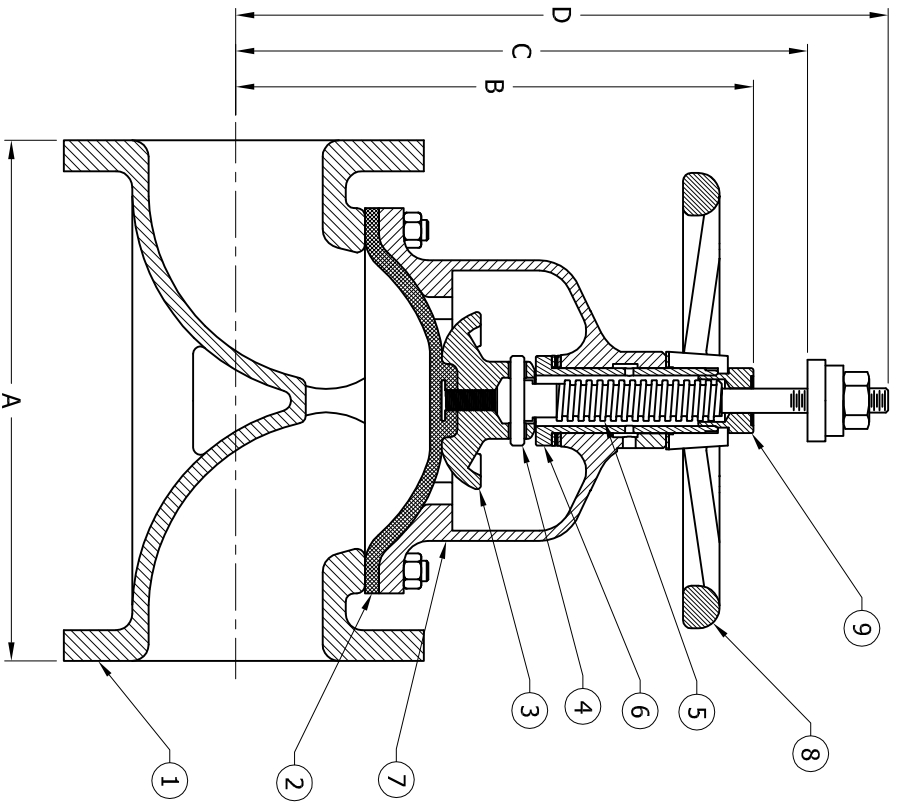


| PARTS LIST |                |
|------------|----------------|
| ITEM       | DESCRIPTION    |
| 1          | VALVE BODY     |
| 2          | DIAPHRAGM      |
| 3          | COMPRESSOR     |
| 4          | COMPRESSOR PIN |
| 5          | STEM           |
| 6          | SLEEVE         |
| 7          | BONNET         |
| 8          | HAND WHEEL     |
| 9          | RETAINER SCREW |



| SIZE | Basic Dimensions |      |      |       |      |       |       |       |       |       |       |       | Metal - Unlined |      |      |      |      |      |       |       |       |       |  |  |
|------|------------------|------|------|-------|------|-------|-------|-------|-------|-------|-------|-------|-----------------|------|------|------|------|------|-------|-------|-------|-------|--|--|
|      | 1/2              | 3/4  | 1    | 1-1/2 | 2    | 2-1/2 | 3     | 4     | 5     | 6     | 8     | 10    | 12              | 1    | 2    | 3    | 4    | 5    | 6     | 8     | 10    | 12    |  |  |
| A    | 4.00             | 5.50 | 5.50 | 6.50  | 7.50 | 8.50  | 10.00 | 12.50 | 14.00 | 16.00 | 20.50 | 25.00 | 28.50           | 4.00 | 5.50 | 5.50 | 6.50 | 7.50 | 8.50  | 10.00 | 12.50 | 14.00 |  |  |
| B    | 3.00             | 3.50 | 3.94 | 5.00  | 6.00 | 7.43  | 7.63  | 11.88 | 15.26 | 15.76 | 21.00 | 27.19 | 31.88           | 3.00 | 3.50 | 3.94 | 5.00 | 6.00 | 7.43  | 7.63  | 11.88 | 15.26 |  |  |
| C    | 3.50             | 4.16 | 4.60 | 5.89  | 7.16 | 8.93  | 9.13  | 14.38 | 19.51 | 20.00 | 27.13 | 34.94 | 40.13           | 3.50 | 4.16 | 4.60 | 5.89 | 7.16 | 8.93  | 9.13  | 14.38 | 19.51 |  |  |
| D    | 4.13             | 5.09 | 5.57 | 6.76  | 8.25 | 10.00 | 10.45 | 15.37 | 20.44 | 21.44 | 29.13 | -     | -               | 4.13 | 5.09 | 5.57 | 6.76 | 8.25 | 10.00 | 10.45 | 15.37 | 20.44 |  |  |

- A - END TO END
- B - MODEL 5 NONINDICATING BONNET
- C - MODEL 6 INDICATING BONNET
- D - MODEL 29 INDICATING BONNET WITH TRAVEL STOP

ALL DIMENSIONS SHOWN ARE IN INCHES. THEY ARE APPROXIMATE, AND FOR ESTIMATING PURPOSES ONLY. CERTIFIED ENGINEERING DRAWINGS ARE AVAILABLE ON REQUEST

THE DESIGN AND DISCLOSURE CONTAINED IN THIS DRAWING WAS ORIGINATED BY, AND IS THE EXCLUSIVE PROPERTY OF HILLS McCANNA INC. IT IS FURNISHED FOR YOUR INFORMATION ONLY AND IS NOT AN AUTHORIZATION OR LICENSE TO MAKE THIS CONSTRUCTION, OR TO FURNISH THIS INFORMATION TO OTHERS. ALL DRAWINGS MUST BE RETURNED TO HILLS McCANNA ON DEMAND. THIS DRAWING IS NOT TO BE MODIFIED, REPRODUCED, OR COPIED IN ANY FORM WITHOUT THE EXPRESS WRITTEN PERMISSION OF HILLS McCANNA INC.

# Hills McCanna

KENTWOOD, MI

VALVE ASSEMBLY  
FLANGED END  
METAL - UNLINED

|            |               |               |       |
|------------|---------------|---------------|-------|
| DRAWN: CEB | DATE: 6/04/10 | APPROVED:     | DATE: |
| SIZE: A    | SCALE: NONE   | SHEET: 1 OF 1 |       |